

303 Rotary Diverter Valves

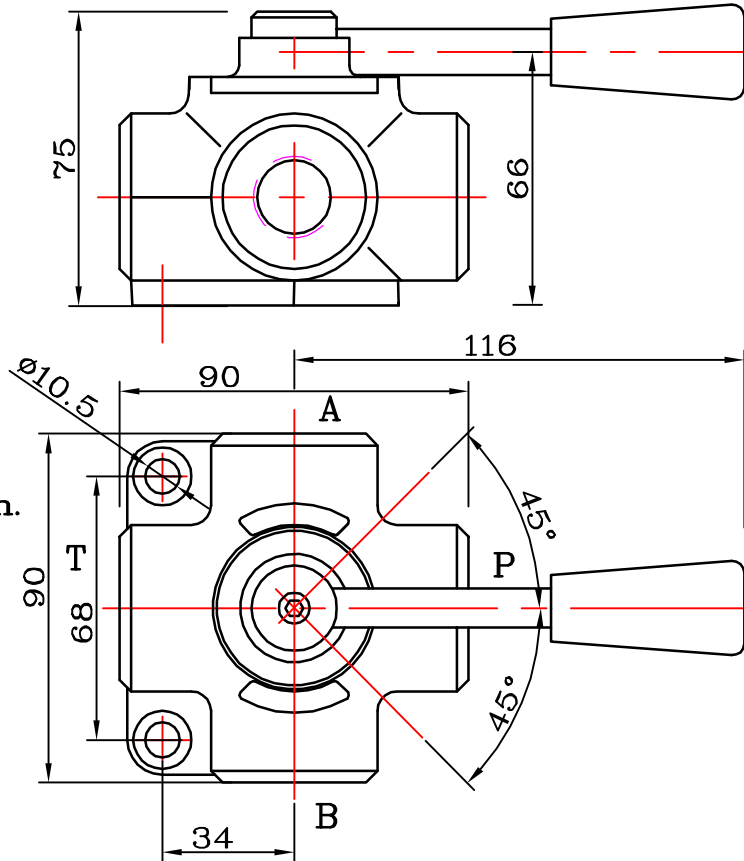
THE DIRECTIONAL CONTROL VALVE of the rotary spool type consists basically of a rotor which is rotated with respect to the valve body. When the rotor is placed in selected positions inlet and outlet ports are connected in various combinations permitting the start, stop or directional change of fluid under pressure. The functions specific to a valve depends primarily on rotor type selected.

SPECIFICATIONS

- Maximum pressure: 320 bar
- Maximum Flow: 90 l/min
- for Code 42, 43, 44: 60 l/min
- Porting: standard 1/2 BSP
- Material: Steel spool in cast iron body.
- Weight: 2 kg.
- Mounting: 2 Bolt M10
- *Porting 3/4 BSP is available only for Code 30; 31; 40. Flow 120 l/min.

FEATURES

Provides a fast and positive control of oil to and from cylinders and motors. Customers can select from one of three spool types allowing flow to be diverted from one line to another or in neutral position of pressure to tank.



ORDERING CODES

Typical Code 303-...-...
 Basic valve _____
 Flow Pattern (Table 1) _____
 Porting (Table 2) _____

Table 2

Code 12	Code 22	Code 34
Threads		
1/2BSP	M22x1.5	3/4BSP

Table 1

Code 30	Code 31	Code 40	Code 42	Code 43	Code 44
3 port closed center 	3 port open center 	4 port closed center 	4 port open center 	4 port open center 	4 port open center
3 port closed center 	3 port open center 	4 port closed center 	4 port open center 	4 port open center 	4 port open center
3 port closed center 	3 port open center 	4 port closed center 	4 port open center 	4 port open center 	4 port open center