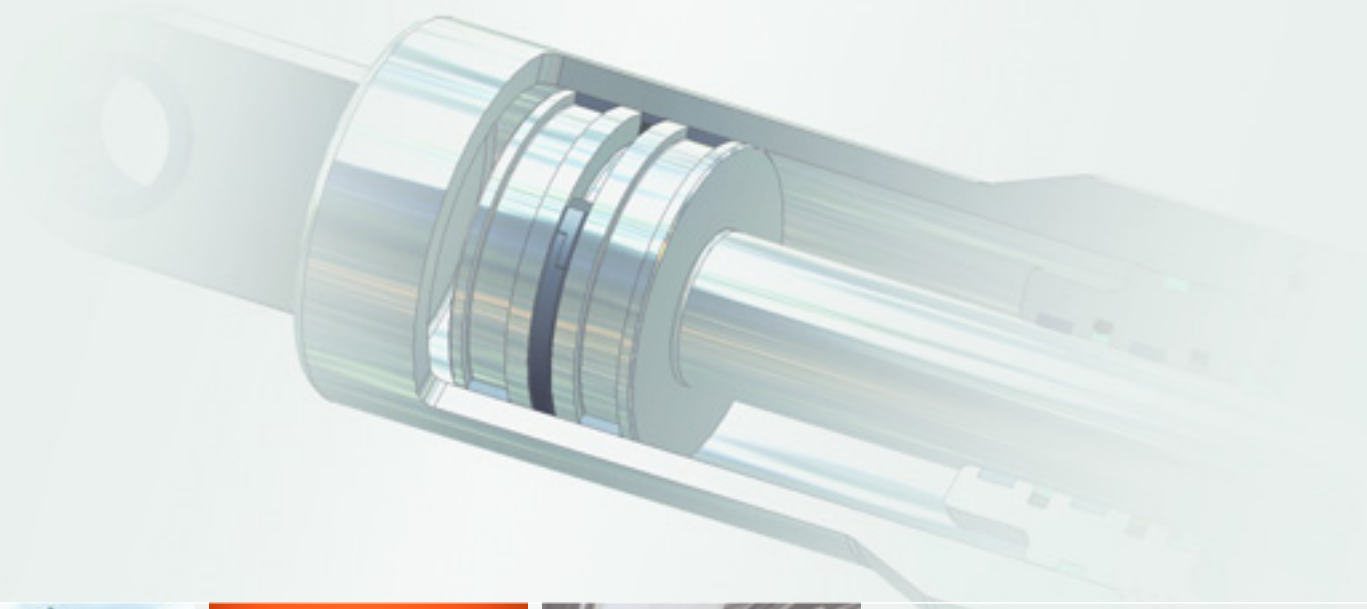


Zurcon[®] Glyd Ring[®] P



Your Partner for Sealing Technology



Your Partner for Sealing Technology

Trelleborg Sealing Solutions is a major international sealing force, uniquely placed to offer dedicated design and development from our market leading product and material portfolio; a one-stop shop providing the best in elastomer, thermoplastic, PTFE and composite technologies for applications in aerospace, industrial, and automotive industries.

With 50-years experience, Trelleborg Sealing Solutions engineers support customers with design, prototyping, production, test and installation using state-of-the-art design tools. An international network of over 70 facilities worldwide includes 30 manufacturing sites, strategically positioned research and development centers, including materials and development laboratories and locations specializing in design and applications.

Developing and formulating materials in-house, we utilize the resource of our material database, including over 2,000 proprietary compounds and a range of unique products.

Trelleborg Sealing Solutions fulfills challenging service requirements, supplying standard parts in volume or a single custom-manufactured component, through our integrated logistical support, which effectively delivers over 40,000 sealing products to customers worldwide.

Facilities are certified to ISO 9001:2000 and ISO/TS 16949:2002. Trelleborg Sealing Solutions is backed by the experiences and resources of one of the world's foremost experts in polymer technology, Trelleborg AB.

ISO 9001:2000

ISO/TS 16949:2002

The information in this brochure is intended to be for general reference purposes only and is not intended to be a specific recommendation for any individual application. The application limits for pressure, temperature, speed and media given are maximum values determined in laboratory conditions. In application, due to the interaction of operating parameters, maximum values may not be achieved. It is vital therefore, that customers satisfy themselves as to the suitability of product and material for each of their individual applications. Any reliance on information is therefore at the user's own risk. In no event will Trelleborg Sealing Solutions be liable for any loss, damage, claim or expense directly or indirectly arising or resulting from the use of any information provided in this brochure. While every effort is made to ensure the accuracy of information contained herewith, Trelleborg Sealing Solutions cannot warrant the accuracy or completeness of information.

To obtain the best recommendation for a specific application, please contact your local Trelleborg Sealing Solutions marketing company.

This edition supersedes all previous brochures.
This brochure or any part of it may not be reproduced without permission.

© All trademarks are the property of Trelleborg AB.

The turquoise color is a registered trademark of Trelleborg AB.

© 2008, Trelleborg AB. All rights reserved.



■ Zurcon® Glyd Ring® P

Description

The doubleacting Zurcon® Glyd Ring® P is a combination of a Zurcon® based material slipper seal with a step cut and an energising rectangular elastomeric ring. It is produced with an interference fit at closed step cut which together with the squeeze of the rectangular energiser ring ensures a good sealing effect even at low pressure.

At higher system pressures, the rectangular ring is energised by the fluid, pushing the Zurcon® Glyd Ring® P against the sealing face with increased force. At high peak pressures, the Zurcon® step cut seal ring can follow ballooning of the tube without losing the sealability.

Due to the Zurcon® high strength plastic material, two times bigger extrusion gaps are possible compared with Turcon® materials. The step cut in the ring is necessary for installation in closed grooves and for the flexibility of the seal ring due to the high stiffness of the material.

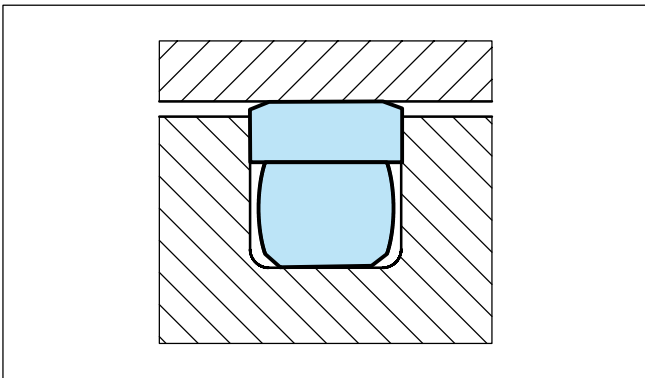


Figure 1 Zurcon® Glyd Ring® P

Step Cut

For easy installation on the piston and for the flexibility of the seal ring a precision step cut is produced by special tool technology.

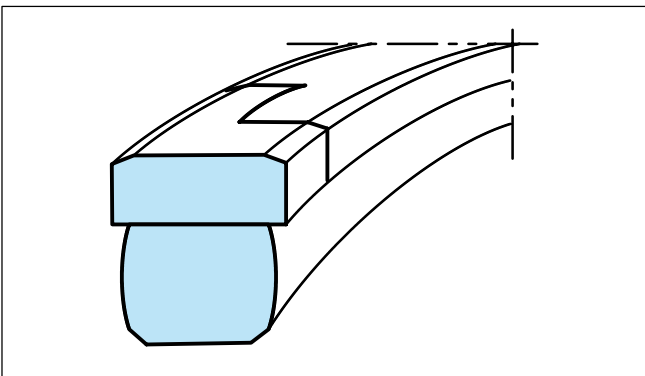


Figure 2 Step cut on Zurcon® Glyd Ring® P

Advantages

- easy installation on piston without special tools
- due to large extrusion gap, safe use even with soiled media
- installation grooves acc. to ISO 7425/1
- simple groove design, one piece piston possible
- increased clearance compare to Turcon® Glyd Ring® seals (approx. +50%), depending on operation conditions
- resistant against shock loads
- high wear resistant material ensures long service life

Application Examples

- construction machinery, e.g. excavators
- truck cranes
- fork lifts

it is particularly recommended for heavy duty applications

Technical Data

Operating conditions:

Zurcon® Glyd Ring® P is recommended for reciprocating (with a length of stroke at least twice the groove width) movements where the dimensional gap between piston and tube shall be as big as possible or where high pressure peaks occur during operation.

Pressure: 50 MPa standard
100 MPa pressure peak

Speed: up to 1 m/s

Temperature: - 30°C to +110°C standard
- 40°C to +100°C and
- 15°C to +140°C on request with special materials

Media: mineral oil based hydraulic fluids

Important Note:

The above data are maximum values and cannot be used at the same time. e.g. the maximum operating speed depends on material type, pressure, temperature and gap value.



Zurcon® Glyd Ring® P

Materials

Standard Application:

- For hydraulic components in mineral oils or medias with good lubricating performance.

Zurcon® seal ring: Zurcon® Z66

Energiser: Rectangular ring in NBR 70
shore A, code N

Set reference: Z66 N

Low temperature application:

Zurcon® seal ring: Zurcon® Z66

Energiser: Rectangular ring in low temp. NBR 70
shore A, code T

Set reference: Z66 T

High temperature application:

Zurcon® seal ring: Zurcon® Z66

Energiser: Rectangular ring in FKM 70
shore A, code V

Set reference: Z66 V



■ Installation Recommendations

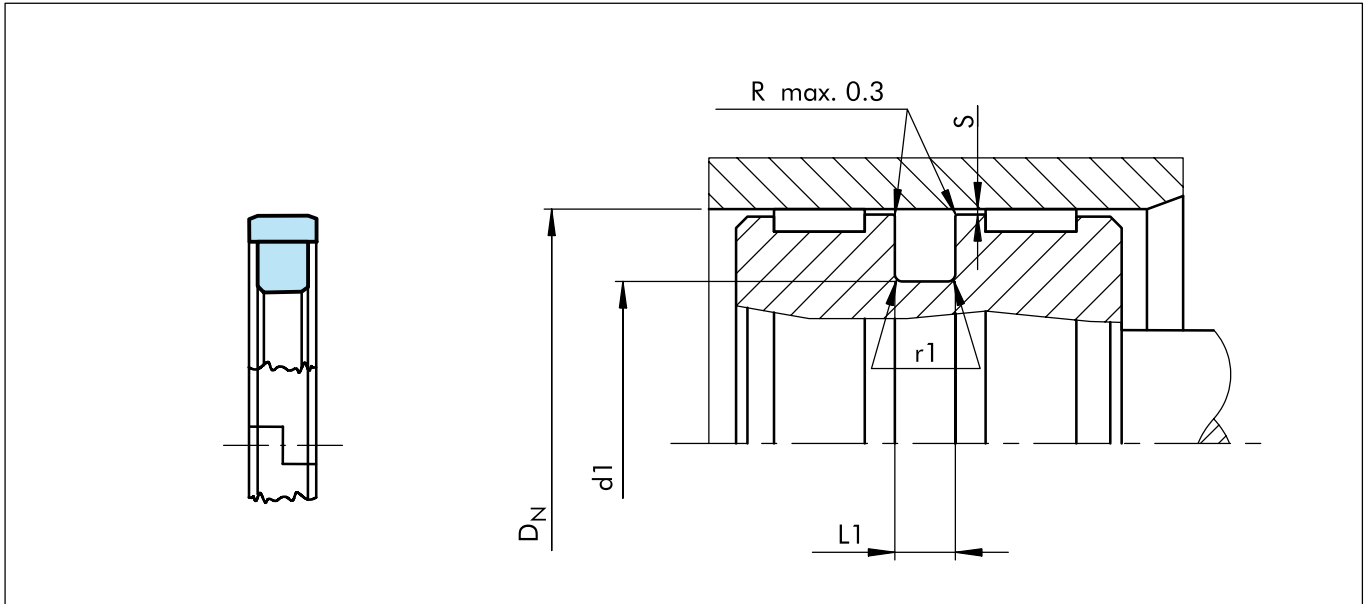


Figure 3 Installation drawing

Table I Installation Dimension

Series No.	Groove Diameter	Groove Width	Radius	Radial Clearance
	d_1 h9	$L_1 \pm 0.1$	r_1	S max.
PGP2	$D_N - 11.0$	4.2	0.5	0.35
PGP3	$D_N - 15.5$	6.3	0.9	0.50
PGP4	$D_N - 21.0$	8.1	0.9	0.60

Ordering example

Zurcon® Glyd Ring® P for ISO groove
 Cylinder bore diameter: $D_N = 125$ mm
 Series No. PGP4
 Part No. PGP401250 (from Table II)
 TSS seal ring material code Z66
 Energiser material code: N
 Set code: Z66 N

Order No.	PGP4	0	1250	-	Z66	N
Series No.						
Type (Standard)						
Cylinder bore diameter x 10						
Quality Index (Standard)						
Material code (Seal ring)						
Material code (Energiser Ring)						



Zurcon[®] Glyd Ring[®] P

Table II Preferred Series / Part No.

Bore Diameter	Groove Diameter	Groove Width	Part No.
D_N H9	d1 h9	L1 +/-0.1	
45.0	34	4.2	PGP200450
70.0	54.5	6.3	PGP300700
75.0	59.5	6.3	PGP300750
75.0	54	8.1	PGP400750
80.0	59	8.1	PGP400800
90.0	69	8.1	PGP400900
100.0	79	8.1	PGP401000
110.0	89	8.1	PGP401100
120.0	99	8.1	PGP401200
125.0	104	8.1	PGP401250
130.0	109	8.1	PGP401300
140.0	119	8.1	PGP401400
150.0	129	8.1	PGP401500
160.0	139	8.1	PGP401600
170.0	149	8.1	PGP401700
180.0	159	8.1	PGP401800
190.0	169	8.1	PGP401900

All dimensions in **bold** are suitable for installation in grooves to ISO 7425/1, bore dia. in accordance with ISO 3320
Further sizes on request

Contact your local marketing company for further information:

Europe	Telephone	Americas	Telephone
AUSTRIA - Vienna <small>(ALBANIA, BOSNIA AND HERZEGOVINA, MACEDONIA, SERBIA AND MONTENEGRO, SLOVENIA)</small>	+43 (0) 1 406 47 33	AMERICAS - REGIONAL	+1 260 749 9631
BELGIUM - Dion-Valmont <small>(LUXEMBOURG)</small>	+32 (0) 10 22 57 50	BRAZIL - São Paulo	+55 11 3372 4500
BULGARIA - Sofia <small>(ROMANIA)</small>	+359 (0)2 969 95 99	CANADA - Etobicoke, ON	+1 416 213 9444
CROATIA - Zagreb	+385 (0) 1 24 56 387	MEXICO - Mexico City	+52 55 57 19 50 05
CZECH REPUBLIC - Rakovnik <small>(SLOVAKIA)</small>	+420 313 529 111	USA, East - Conshohocken, PA	+1 610 828 3209
DENMARK - Hillerød	+45 48 22 80 80	USA, Great Lakes - Fort Wayne, IN	+1 260 482 4050
FINLAND - Vantaa <small>(ESTONIA, LATVIA)</small>	+358 (0) 207 12 13 50	USA, Midwest - Lombard, IL	+1 630 268 9915
FRANCE - Maisons-Laffitte	+33 (0) 1 30 86 56 00	USA, Mountain - Broomfield, CO	+1 303 469 1357
GERMANY - Stuttgart	+49 (0) 711 7864 0	USA, Northern California - Fresno, CA	+1 559 449 6070
GREECE	+41 (0) 21 631 41 11	USA, Northwest - Portland, OR	+1 503 595 6565
HUNGARY - Budaörs	+36 (06) 23 50 21 21	USA, South - N. Charleston, SC	+1 843 747 7656
ITALY - Livorno	+39 0586 22 6111	USA, Southwest - Houston, TX	+1 713 461 3495
THE NETHERLANDS - Barendrecht	+31 (0) 10 29 22 111	USA, West - Torrance, CA	+1 310 371 1025
NORWAY - Oslo	+47 22 64 60 80		
POLAND - Warsaw <small>(LITHUANIA, UKRAINE, BELARUS)</small>	+48 (0) 22 863 30 11	Asia Pacific	Telephone
RUSSIA - Moscow	+7 495 982 39 21	ASIA PACIFIC REGIONAL	+65 6 577 1778
SPAIN - Madrid <small>(PORTUGAL)</small>	+34 (0) 91 71057 30	CHINA - Hong Kong	+852 2366 9165
SWEDEN - Jönköping	+46 (0) 36 34 15 00	CHINA - Shanghai	+86 (0) 21 6145 1830
SWITZERLAND - Crissier	+41 (0) 21 631 41 11	INDIA - Bangalore	+91 (0) 80 2245 5157
TURKEY	+41 (0) 21 631 41 11	JAPAN - Tokyo	+81 (0) 3 5633 8008
UNITED KINGDOM - Solihull <small>(EIRE)</small>	+44 (0) 121 744 1221	KOREA - Anyang	+82 (0) 31 386 3283
AFRICA REGIONAL	+41 (0) 21 631 41 11	MALAYSIA - Kuala Lumpur	+60 (0) 3 9059 6388
MIDDLE EAST REGIONAL	+41 (0) 21 631 41 11	TAIWAN - Taichung	+886 4 2382 8886
		THAILAND - Bangkok	+66 (0) 2732-2861
		SINGAPORE	
		and all other countries in Asia	+65 6 577 1778

www.tss.trelleborg.com

